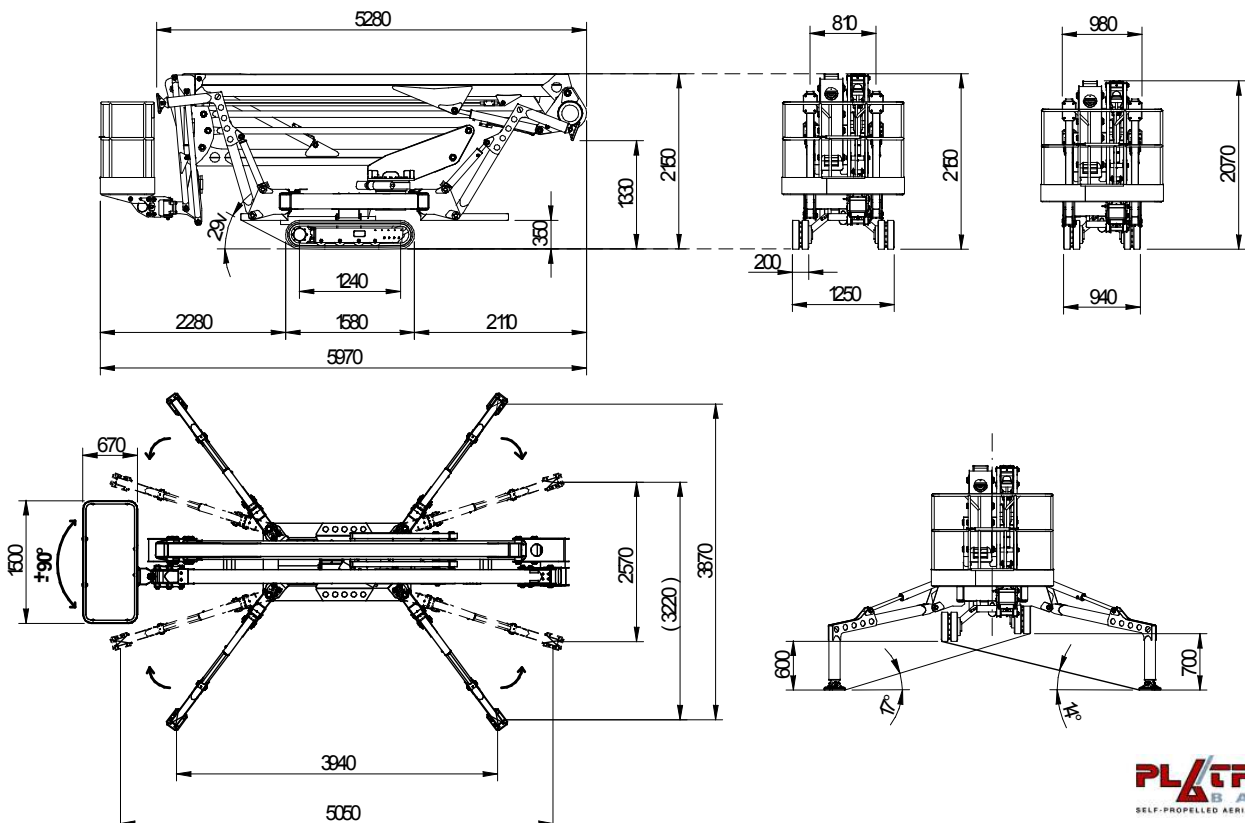




Technical Data Spider 22.10 Tracked Access Platform

Tel: 01226 716657	Fax: 01226 716658	Email: info@promaxaccess.com	Web: www.promaxaccess.com
Working Height	21.70m		
Basket floor Height	19.70m		
Max outreach	10.30m		
Turret Rotation	365°		
Basket dimensions	1500mm x 7000mm x 1100mm		
Max working load	200kg		
Length in stowed position	5280mm without cage, 5975mm with cage		
Min. Stowed width	1000mm		
Min. stowed height	2065mm		
Outriggers footprint	See dimensions section		
Driving speed	2,5 KMH		
Petrol Engine (Honda)	13hp		
Diesel Engine (Kubota)	15hp		
Max gradeability	16° (29%)		
Max lateral gradeability	17° (31%)		
Total weight	3000kg		
Ground tracks load	2.52 N/cm ²		
Surface load in wide stabiliser set up	1.90 KN/m ²		
OPTIONS			
Electric power pack	240v AC, 110v AC, 415v 3phase		





Spider 22.10 Working Envelope

