

Specifications

LE50GT

TEUPEN[®]
...access redefined

PERFORMANCE

Working height, max.	50,00 m
Working height with 400 kg	-
Horizontal outreach with 80 kg	20,00 m
Horizontal outreach with 200 kg	17,10 m
Horizontal outreach with 400 kg	-
Up-and-over clearance, max.	26,50 m
Basket capacity	200 kg
Movable jib	-
Basket rotation	180°
Turret rotation	450°
Turret rotation, one side narrow	120°
To be jacked up on ground slope of	16,7°/30,0 %
Height and width track adjustment	50/32 cm
Gradeability, max.	16,7°/30,0 %
Slope angle	16,7°/30,0 %
Travel speed	1,6 km/h

MEASUREMENTS

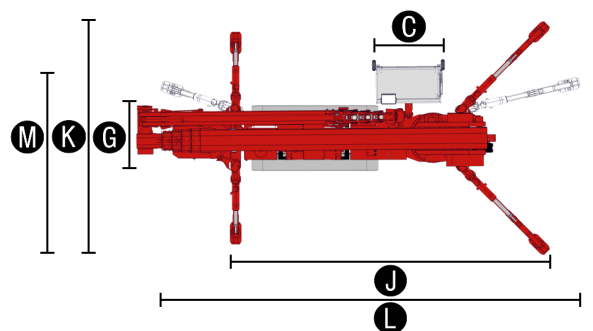
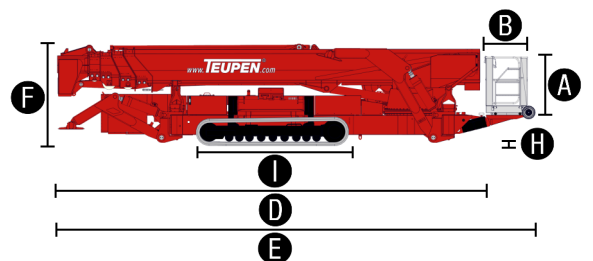
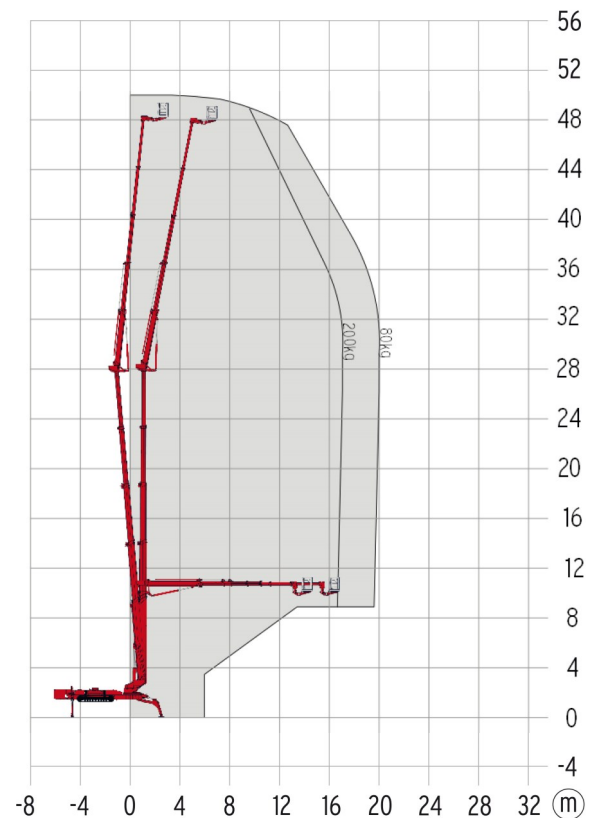
Platform height (A)	1,10 m
Platform length (B)	0,80 m
Platform width (C)	1,50 m
Length, without basket (D)	8,45 m
Length overall (E)	9,35 m
Height, travel position (F)	1,98 m
Width, minimal overall width (G)	1,58 m
Ground clearance, max. (H)	0,58 m
Track (L x W) (I)	3,00 m x 0,40 m
Length outrigger footprint standard (J)	7,60 m
Width outrigger footprint standard (K)	5,65 m
Length footprint one side narrow (L)	9,80 m
Width footprint one side narrow (M)	4,20 m
Outrigger plate (L x W)	0,52 m x 0,27 m

WEIGHT

Total weight	13500 kg
Live load in travelling position	4,90 kN/m ²
Live load in working position	3,90 kN/m ²
Point load per outrigger plate, max.	81,0 kN

POWER

Standard power sources (electric and combustion engine)	1) Electric: 400 V, 15,7 A, 7,5 kW 2) Diesel: Kubota V 2203-M (35,9 kW/48,1 hp)
Fuel tank capacity Diesel engine	80,0 l



STANDARDS COMPLIANCE

2006/42/EC-Machinery directive
 (Harmonised standard EN280:2001 + A2:2009); 2004/108/EC (EMC);
 2000/14/EC (Noise emission directive – outdoor)

Features

LEO 50 GT

TEUPEN[®]
...access redefined

CHASSIS

- Powerful track drive with hydraulic braking system
- Precise maneuvering over sensitive electrohydraulic radio remote control
- White, non-marking rubber tracks with specially arranged profile providing optimum grip
- Hydraulically height- and width adjustable track chassis

STABILISATION

- Fully-hydraulic, automatic leveling system with outrigger setup monitoring
- Variable outrigger system with one-side narrow setup option

BOOM SYSTEM

- 5-section steel lower telescopic boom on wear-resistant sliding blocks
- Reliable 5-section steel and aluminium upper boom on wear-resistant rollers
- All functions are available from one radio remote control panel
- Electric-proportional radio remote controls with intuitive operator guidance
- Robust, lockable control panel with integrated operation and display function
- Self-levelling platform with electro-hydraulic levelling system
- 180° basket rotation
- Boom rotation via high-performance slew ring, worm gear and hydraulic motor
- Basket changing system

POWER

- 400 V electric motor
- 4-cylinder Kubota V 2203-M Diesel engine, silenced (35,9 kW/48,1 hp)
- Start-Stop switch of combustion engine in the basket

PRODUCTIVITY, SAFETY, QUALITY

- 230 V (EU) double power outlet in the basket
- Ergonomically shaped basket with eyelets for safety belts and tool tray
- Lockable storage box for radio remote control
- High-quality paint in RAL 3020 (red)
- Electrically regulated emergency control system
- Cables and hoses are safely routed through the boom structure
- Biodegradable hydraulic oil
- Lock valves - hydraulic return valves directly on all hydraulic cylinders
- Relief valves protecting the hydraulic system from too high pressures
- Protective covers for oil-tank, emergency controls and connecting cables and hoses
- Hour meter
- Fuzzy control technology

OPTIONS

- Custom paintwork, one colour, according to RAL scheme (except metallic coatings, signal- or special colors)
- Custom paintwork, two colours, according to RAL scheme (except metallic coatings, signal- or special colors)
- Basket (1200 x 800 mm)* with load limit device, instead of the standard basket. This option can only be ordered in combination with the basket holder with measurements: 1200 x 800 mm
- Basket holder, detachable (for basket 1200 x 800 mm)

ACCESSORIES

- Safety harness
- Outrigger pad (1090 x 390 x 40 mm), PVC (14,8 kg additional weight)
- Lockable storage frame for outrigger pads
- Track mat (2000 x 800 x 15 mm)
- Additional exchange basket (1800 x 800 mm)* including basket load limit scale and basket holder

**Choosing other basket sizes results in different machine specifications and performance.*

CONTACT

Teupen Maschinenbau GmbH
Marie-Curie-Str. 13
48599 Gronau
Germany

phone +49 (0) 2562 8161-0
fax +49 (0) 2562 8161-888
mail@teupen.com

Version 2016-B. Product specifications are subject to change without notice or obligation. Photographs and drawings in this document are for illustrative purposes only. Refer to the appropriate Operator's Manual for instructions on the proper use of this equipment. Failure to follow the appropriate Operator's Manual when using our equipment or to otherwise act irresponsibly may result in serious injury or death. The only warranty applicable to our equipment is the standard written warranty applicable to the particular product and sale and we make no other warranty, expressed or implied. Products and services listed may be trademarks, service marks or trade-names of Teupen Maschinenbau GmbH and/or its subsidiaries in the U.S.A. and many other countries. "Teupen", "Access redefined" and "LEO Series" are registered Trademarks of Teupen GmbH in the United States of America and many other countries. © 2016 Teupen Maschinenbau GmbH.

